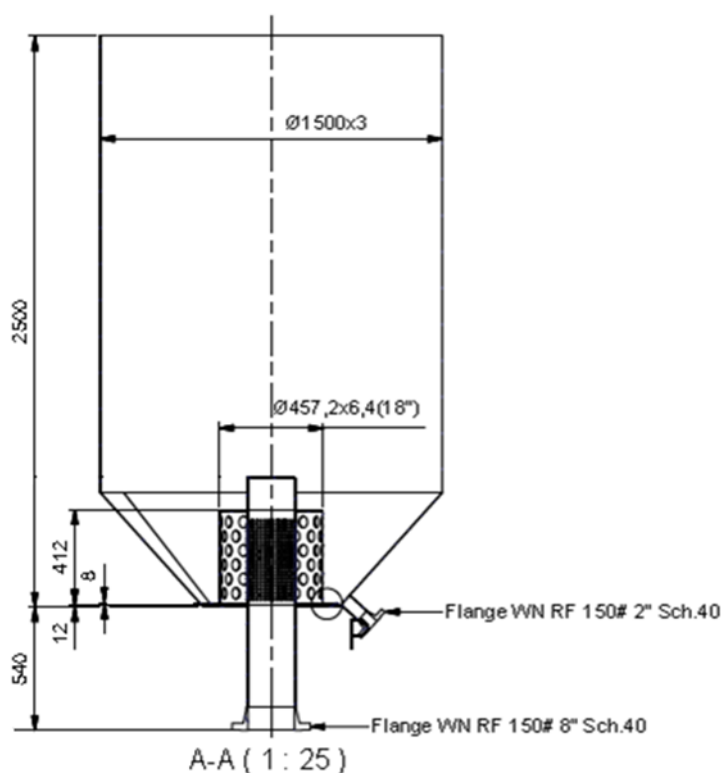


Blow Down Silencer - SL-01

Description

The Blow Down Silencer of PRS International is designed for a capacity of 35.000m³/hr. Nitrogen and is able to establish a noise reduction up to 50db.

This enables PRS international to blow down large volumes of gaseous Nitrogen 24hrs a day. This unit is mobile and easy to connect via a 8" flange connection.



Technical details

Technical details	
Max. nitrogen flow	35.000m ³ /hr.
Max. noise reduction	50db
Blow down connection	ANSI 8" 150# RF
Drain connection	ANSI 2" 150# RF
Gross Weight	1.500kg
Dimensions LxWxH	1600mmx1600mmx3200mm

24/7 excelling in services!

PRS International

Industrieweg 10
7761 PV Schoonebeek
The Netherlands

T: +31 (0)524 599 980
E: info@prs-international.nl
W: www.prs-international.nl

a VolkerWessels company