

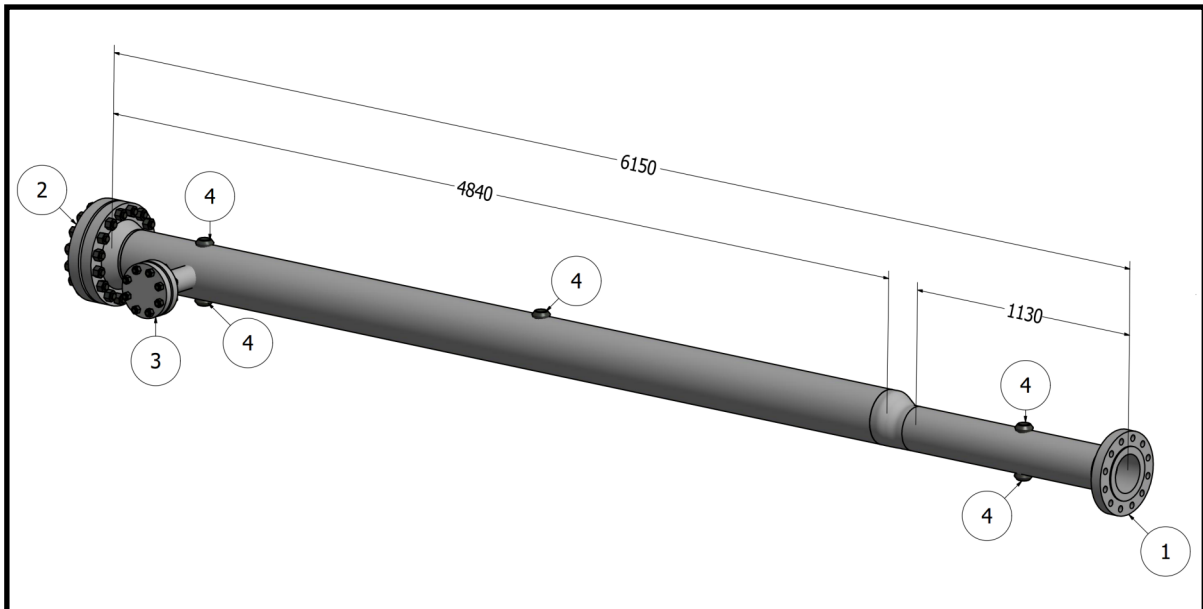
## Pig Launcher/Receiver 8 inch 600#

### Equipment Description

PRS International provides and installs pig launching and receiving installations for oil, gas and liquid installations. PRS International is capable to provide launchers and receivers of any size and pressure rating. All launchers / receivers are fully certified and tested before they are send to the costumer.

PRS International Launchers and receivers are designed to accommodate displacement, cleaning, scraper pigs and ILI pigs or any other type of pig. PRS International provides complete solutions for pipeline jobs such as cleaning, drying or displacements.

PRS has a range of launchers and receivers vary from 4 inch to 48 inch in sizes. See table below for the connections and the specific dimensions of the 8 inch 600# pig trap.



#	Type connections
1	8" WN 600# RF Flange
2	10" WN 600# RF Flange
3	4" WN 600# RF Flange
4	2" NPT 3000# Threadolet
Alu inserts are available for ILI tools	

Parameter	Range
Overall length	6150 mm
Barrel length	4840 mm
Nominal length	1130 mm
Flange Class	600# RF
Pipe size	10" sch60/ 8" sch40
Design pressure	75 BARG
Weight	350Kg
Serial no	Humo-001

**24/7 excelling in services!**